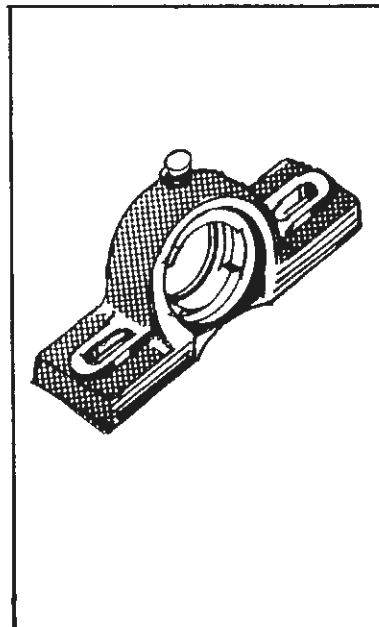
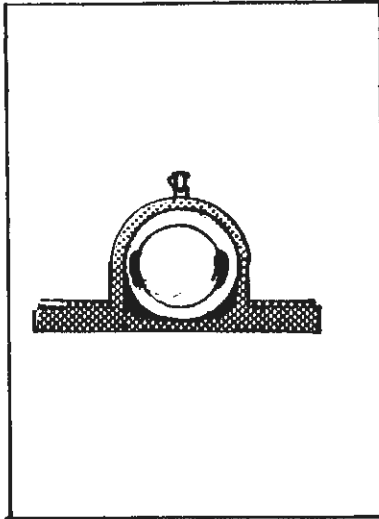


BEARINGS

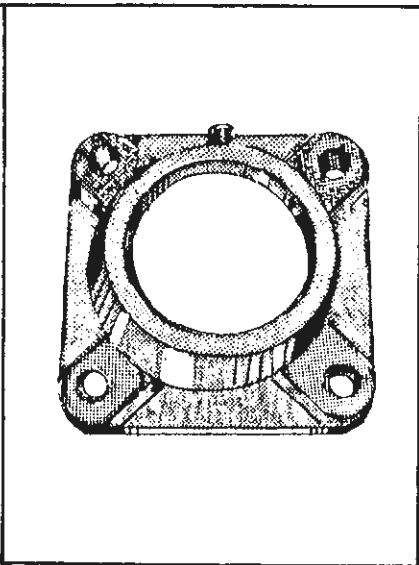
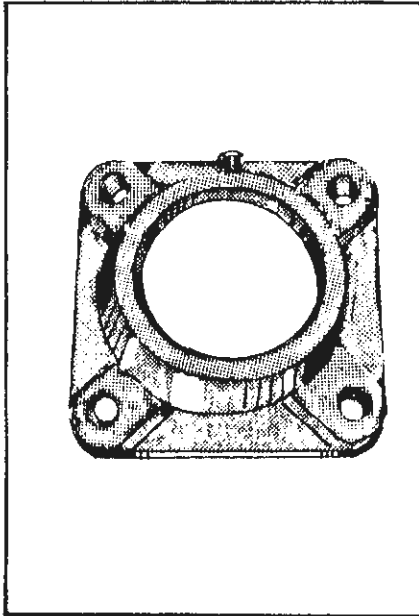
PILLOW BLOCK HOUSINGS (LESS BEARING INSERTS)



HOUSING NO.	SHAFT SIZE	USE BEARING WITH SET SCREW COLLAR	USE BEARING WITH ECCENTRIC COLLAR
P203	1/2" 5/8"	— —	SA201-08 SA202-10
P204	1/2" 5/8" 3/4"	UC201-08 UC202-10 UC204-12	— — SA204-12
P205	7/8" 15/16" 1"	UC205-14 UC205-15 UC205-16	SA205-14 SA205-15 SA205-16
P206	1-1/16" 1-1/8" 1-3/16" 1-1/4"	UC206-17 UC206-18 UC206-19 UC206-20	SA206-17 SA206-18 SA206-19 SA206-20
P207	1-1/4" 1-5/16" 1-3/8" 1-7/16"	UC207-20 UC207-21 UC207-22 UC207-23	SA207-20 SA207-21 SA207-22 SA207-23
P208	1-1/2"	UC208-24	SA208-24
P209	1-5/8" 1-11/16" 1-3/4"	UC209-26 UC209-27 UC209-28	SA209-26 SA209-27 SA209-28
P210	1-7/8" 1-15/16" 2"	UC210-30 UC210-31 —	SA210-30 SA210-31 SA210-32
P211	2" 2-1/8" 2-3/16"	UC211-32 UC211-34 UC211-35	— — —
P212	2-1/4" 2-7/16"	UC212-36 UC212-39	— —

BEARINGS

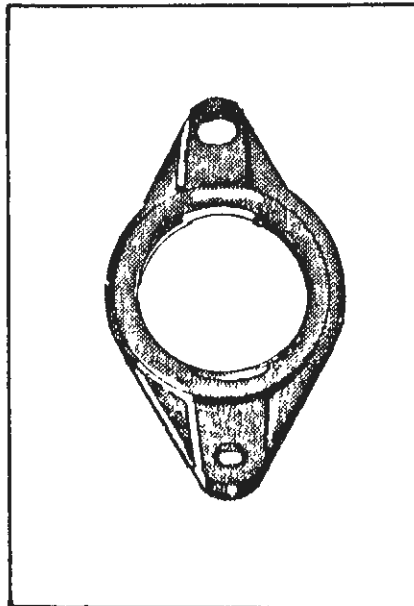
FOUR BOLT FLANGE HOUSINGS (LESS BEARING INSERT)



HOUSING NO.	SHAFT SIZES	USE BEARING WITH SET SCREW COLLAR	USE BEARING WITH ECCENTRIC COLLAR
F204	1/2"	UC201-08	—
	5/8"	UC202-10	—
	3/4"	UC204-12	SA204-12
F205	7/8"	UC205-14	SA205-14
	15/16"	UC205-15	SA205-15
	1"	UC205-16	SA205-16
F206	1-1/16"	UC206-17	SA206-17
	1-1/8"	UC206-18	SA206-18
	1 3/16"	UC206-19	SA206-19
	1-1/4"	UC206-20	SA206-20
F207	1-1/4"	UC207-20	SA207-20
	1-5/16"	UC207-21	SA207-21
	1-3/8"	UC207-22	SA207-22
	1-7/16"	UC207-23	SA207-23
F208	1-1/2"	UC208-24	SA208-24
F209	1-5/8"	UC209-26	SA209-26
	1-11/16"	UC209-27	SA209-27
	1-3/4"	UC209-28	SA209-28
F210	1-7/8"	UC210-30	SA210-30
	1-15/16"	UC210-31	SA210-31
	2"	—	SA210-32
F211	2"	UC211-32	—
	2-1/8"	UC211-34	—
	2 3/16"	UC211-35	—
F212	2-1/4"	UC212-36	—
	2-7/16"	UC212-39	—

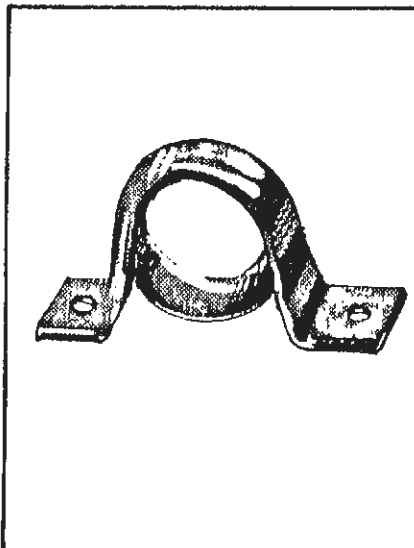
BEARINGS

TWO BOLT FLANGE HOUSINGS (LESS BEARING INSERT)



HOUSING NO.	SHAFT SIZE	USE BEARING WITH SET SCREW COLLAR	USE BEARING WITH ECCENTRIC COLLAR
FL204	1/2"	UC201-08	—
	5/8"	UC202-10	—
	3/4"	UC204-12	SA204-12
FL205	7/8"	UC205-14	SA205-14
	15/16"	UC205-15	SA205-15
	1"	UC205-16	SA205-16
	1-1/16"	UC206-17	SA206-17
FL206	1-1/8"	UC206-18	SA206-18
	1-3/16"	UC206-19	SA206-19
	1-1/4"	UC206-20	SA206-20
	1-1/4"	UC207-20	SA207-20
	1-5/16"	UC207-21	SA207-21
FL207	1-3/8"	UC207-22	SA207-22
	1-7/16"	UC207-23	SA207-23

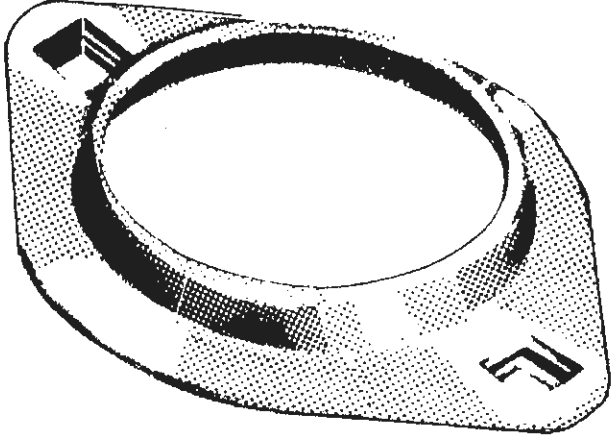
PRESSED STEEL HOUSINGS (LESS BEARING INSERTS)



HOUSING NO.	SHAFT SIZE	USE BEARING WITH SET SCREW COLLAR	USE BEARING WITH ECCENTRIC COLLAR
PP 203	1/2"	—	SA201-08
	5/8"	—	SA202-10
PP 204	1/2"	UC201-08	—
	5/8"	UC202-10	—
	3/4"	UC204-12	SA204-12
PP 205	7/8"	UC205-14	SA205-14
	15/16"	UC205-15	SA205-15
	1"	UC205-16	SA205-16
	1-1/16"	UC206-17	SA206-17
PP 206	1-1/8"	UC206-18	SA206-18
	1-3/16"	UC206-19	SA206-19
	1-1/4"	UC206-20	SA206-20

BEARINGS

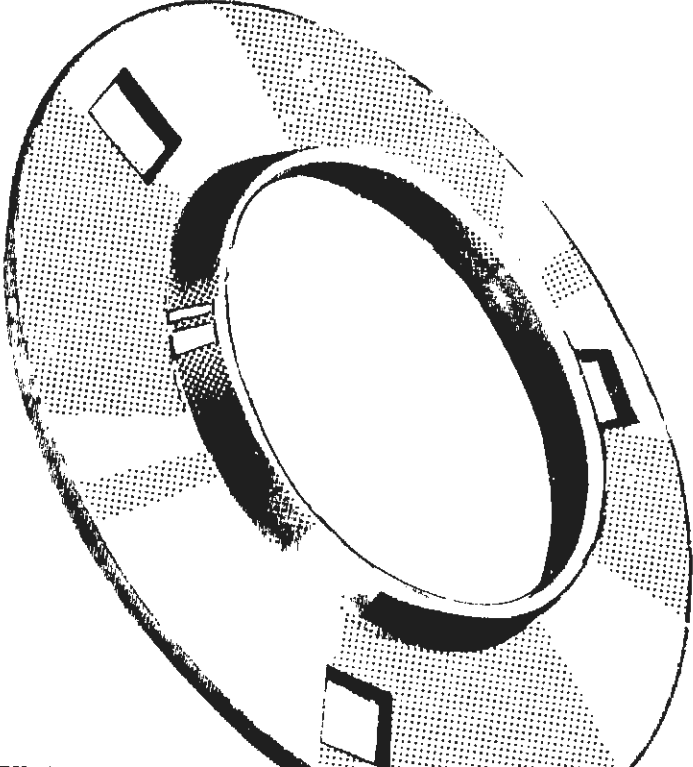
PRESSED STEEL FLANGETTES



A perspective view of a pressed steel flange with two mounting holes. The flange has a central circular opening and a raised outer rim. Two rectangular slots are visible on the outer rim, one on each side.

MST SERIES — 2 HOLE

FLANGE NO.	USES BEARING NO.
47MST	SA204-12
52MST	SA205-14 SA205-15 SA205-16
62MST	SA206-17 SA206-18 SA206-19 SA206-20



A perspective view of a pressed steel flange with three mounting holes. The flange has a central circular opening and a raised outer rim. Three rectangular slots are visible on the outer rim, spaced evenly around the circumference.

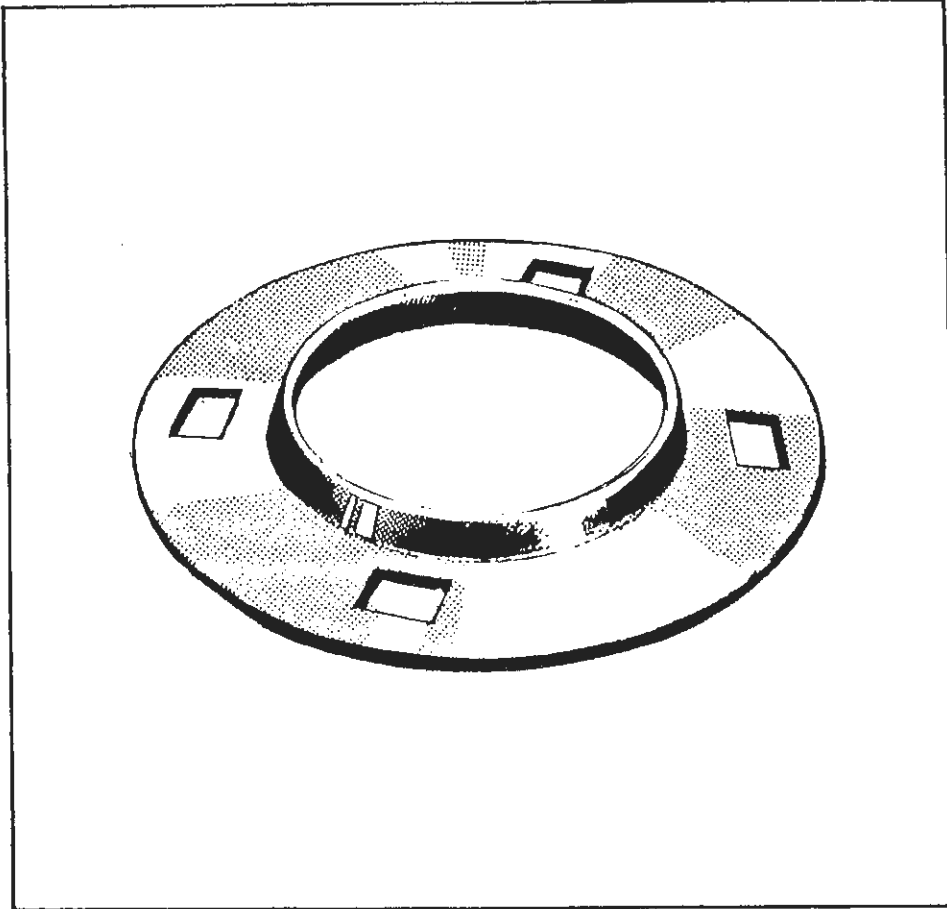
MS SERIES — 3 HOLE

FLANGE NO.	USES BEARING NO.
40MS	SA201-08 SA202-10
47MS	SA204-12
52MS	SA205-14 SA205-15 SA205-16
62MS	SA206-17 SA206-18 SA206-19 SA206-20
72MS	SA207-20 SA207-21 SA207-22 SA207-23

NOTE: Flangettes are sold by the piece and not by the pair.

BEARINGS

PRESSED STEEL FLANGETTES



MS SERIES — 4 BOLT

FLANGE NO.	USES BEARING NO.
80MS	SA208-24
85MS	SA209-26 SA209-27 SA209-28
90MS	SA210-30 SA210-31 SA210-32
100MS	—

NOTE: Flangettes are sold by the piece and not by the pair.